

Product Catalogue
Scaffolding

FS alu-scaff



FS form scaff

Formwork & Scaffolding
Solutions

We are
WACO



Form-Scaff is South Africa's leading supplier of formwork, falsework and scaffolding to the construction and civil engineering industries. Form-Scaff not only manufactures, hires and sells world-class products, but also provides the design skills, technical advice and support that comes with having 50 years experience and more than 30 branches locally and internationally.

We are Waco International

Form-Scaff is part of Waco International, a focused equipment rental and industrial services business with operations in Africa (South Africa and other sub-Saharan African countries), Australasia (Australia and New Zealand) and the United Kingdom.

The Group provides services in the areas of formwork, shoring and scaffolding, insulation, painting and blasting, hydraulics and suspended access platforms, relocatable modular buildings, portable sanitation products and integrated hygiene services.

Disclaimer:

Copyright in this catalogue vests in Form-Scaff, a division of Waco Africa (Proprietary) Limited ("Form-Scaff") and extends inter alia, to the making of copies in whole or in part without the prior written consent of Form-Scaff.

While every effort has been made to ensure the accuracy of the information in this catalogue, we cannot accept responsibility for any errors which may occur as a result of reliance on the contents of this catalogue and are not liable for any loss of any nature that may be incurred as a result of such reliance. Details of any of the products may change without prior notice.

The customer must ensure that 'good practice' is adopted on site by competent persons and that the products shown in this catalogue are erected, used and stripped in accordance with the relevant Codes of Practice and the OHS Act and Regulations 85 of 1993. This catalogue does not contain any design detail but lists and depicts the items available under this product range. The responsibility for design is the responsibility of the customer.

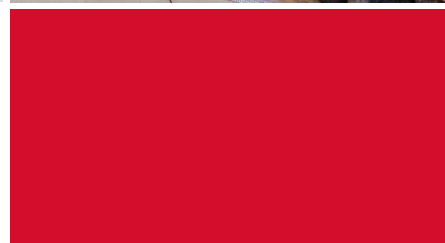
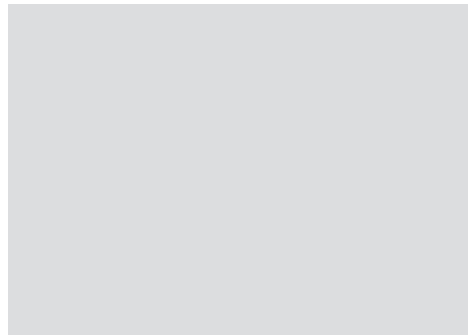
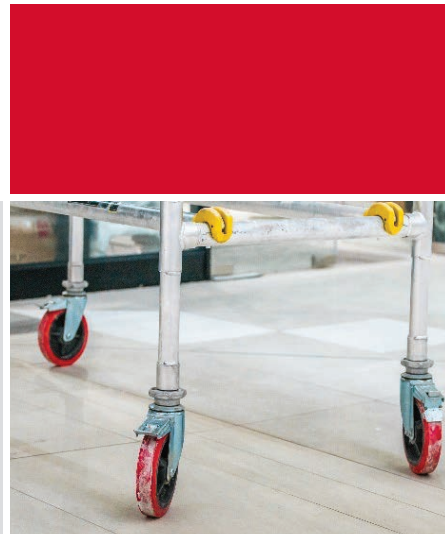
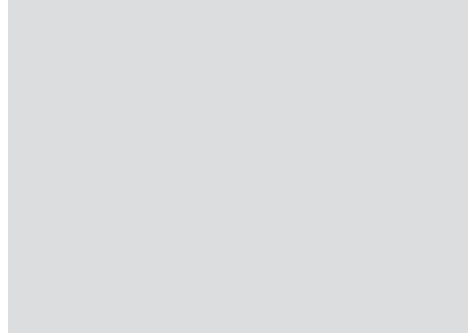
Note: The colours used in this document are for illustrative purposes only and may differ on actual products

Contents



alu-scaff

- Page 2** Overview
- Page 3** General Assembly
- Page 4** Jacks & Frames
- Page 5** Braces
- Page 6** Working Platforms
- Page 7** Staircases
- Page 8** Youngman Platforms
- Page 9** Tower Estimating Tables
- Page 10** Contact Directory





alu-scaff



Alu-Scaff Scaffolding

The lightweight aluminium Alu-Scaff modular frame type system provides a sturdy alternative to the traditional steel scaffolding systems.

Alu-Scaff may be erected in static or mobile tower configurations to provide the optimum scaffolding solution.

The snap-on / click-in type braces and ledgers allows the system to be quickly erected and dismantled.

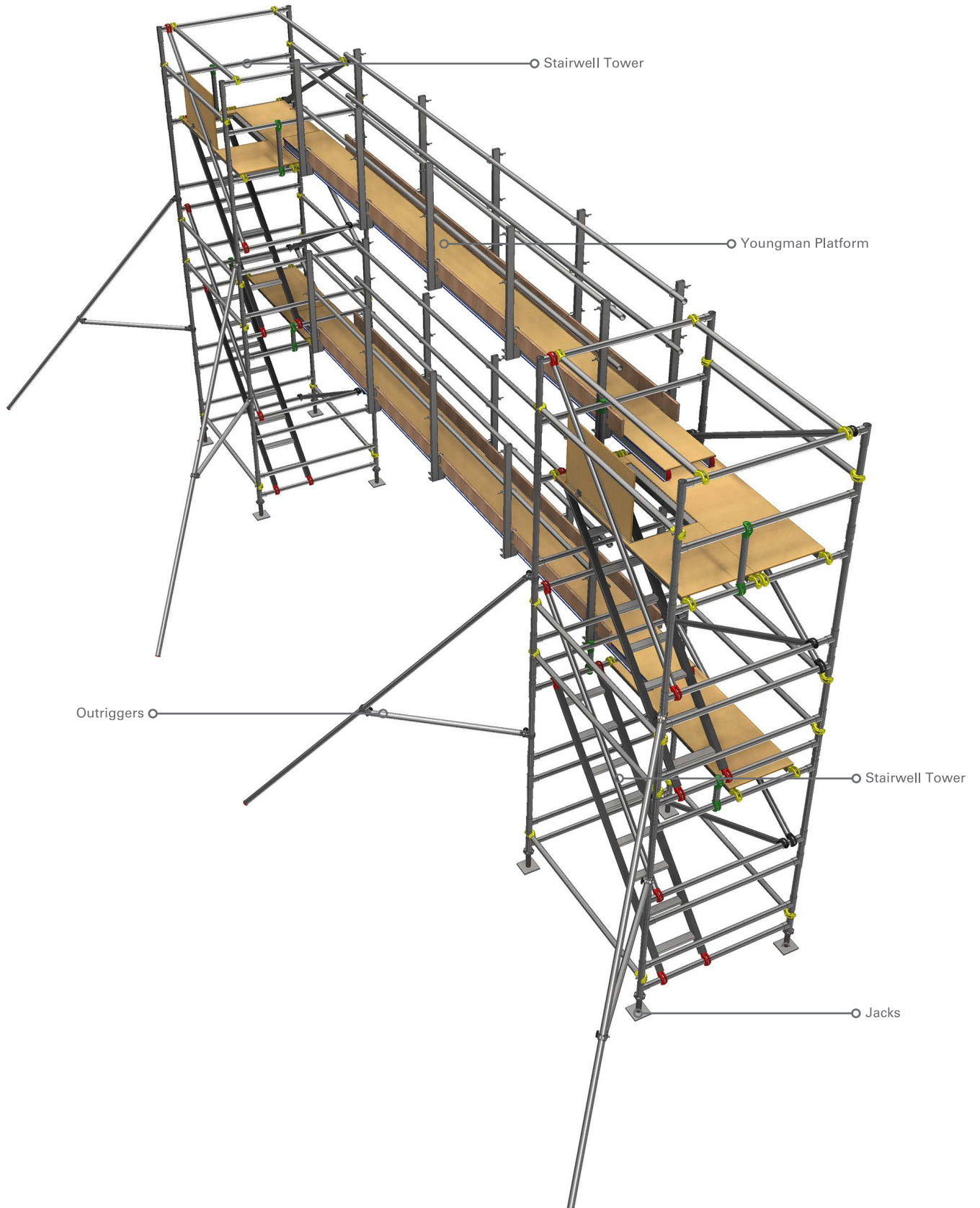
Safe working platforms with guardrails, spanning 7.2 m, may be installed between any two towers to bridge over an opening in the scaffold.

System Features

- Lightweight modular frames
- Quick-fix type horizontal braces and bracing for fast erection and dismantling
- Mobile or static towers
- Outriggers available to increase the working height and provide scaffolding stability
- Tower platforms with built-in trap doors
- Tower stairways with handrails
- Safety handrails and toe boards around platforms
- Bridging platform spanning between towers



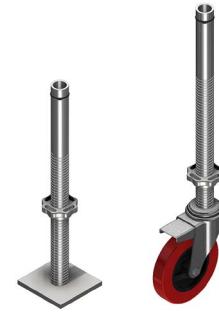
General Assembly



Alu-Scaff Jacks

Alu-Scaff Base Jacks and Castor Jacks are inserted into ends of Alu-Scaff Frames to provide the required vertical adjustment.

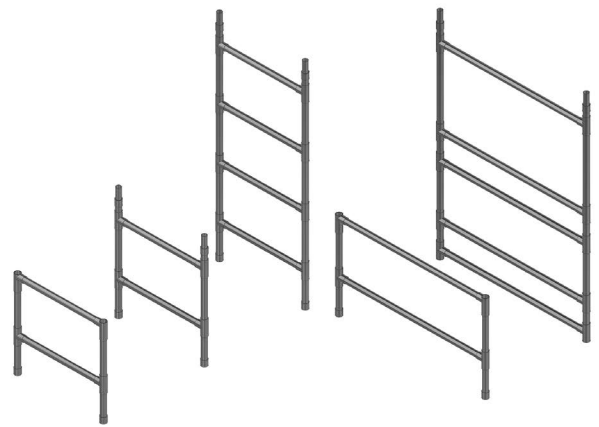
CODE	DESCRIPTION	MASS(kg)
5105800	Alu-Scaff Aluminium Base Jack	2.0
5105801	Alu-Scaff Castor Wheels	4.5
5105605	Alu-Scaff Steel Base Jack	2.5



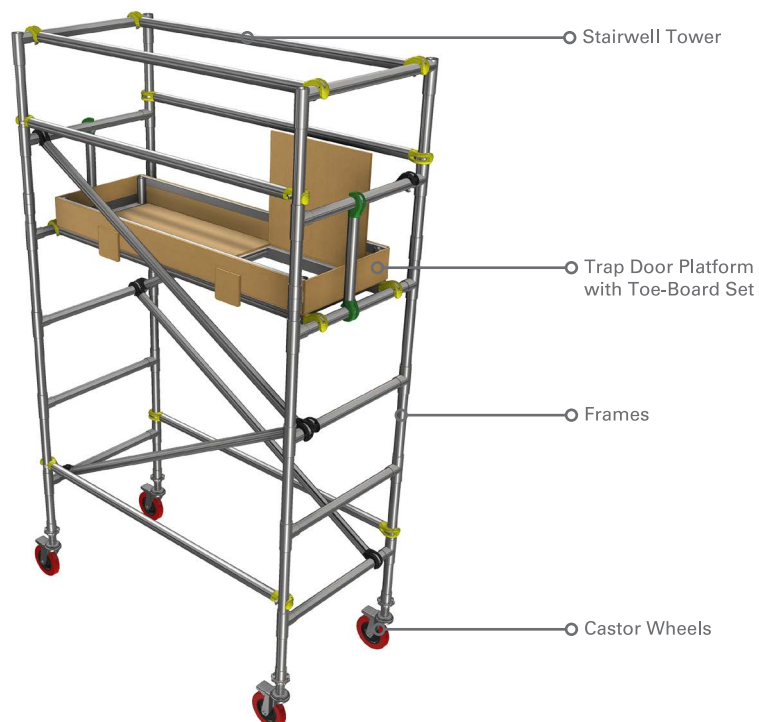
Alu-Scaff Frames

Different sizes of frames make up the vertical support for the Alu-Scaff access scaffold structure.

CODE	DESCRIPTION	MASS(kg)
5105807	Alu-Scaff 900 Span 2 Rung Frames	3.2
5105808	Alu-Scaff 900 Span 4 Rung Frames	7.2
5105810	Alu-Scaff 900 Span Guard Rail Frames	3.2
5105814	Alu-Scaff 5 Rung Frames	9.5
5105817	Alu-Scaff Guard Rail Frames	4.0



Assembly - 900 Span Tower



Braces

Alu-Scaff Horizontal Braces

Alu-Scaff Horizontal Braces keeps the Alu-Scaff Frames in a vertical position as well as provide hand - and knee rails at working platform levels.

CODE	DESCRIPTION	MASS(kg)
5105811	Alu-Scaff 900 Span Horizontal Braces	1.5
5105818	Alu-Scaff 1500 Horizontal Braces	1.5



Alu-Scaff Diagonal Braces

Alu-Scaff Diagonal Braces are connected diagonally between the Alu-Scaff Frames to ensure a safe, stable and plumb scaffold structure.

CODE	DESCRIPTION	MASS(kg)
5105809	Alu-Scaff 900 Span Diagonal Braces	1.5
5105816	Alu-Scaff diagonal Braces	1.5



Alu-Scaff Lock Braces

Alu-Scaff Lock Braces are used to connect Alu-Scaff Frames vertically together.

CODE	DESCRIPTION	MASS(kg)
5105803	Alu-Scaff scaffold Lock Brace - Small	0.5
5105804	Alu-Scaff scaffold Lock Brace - Large	0.5



Alu-Scaff Plain Platforms

Alu-Scaff Plain Platforms are supported on the Alu-Scaff Frames to provide a safe working Platform.

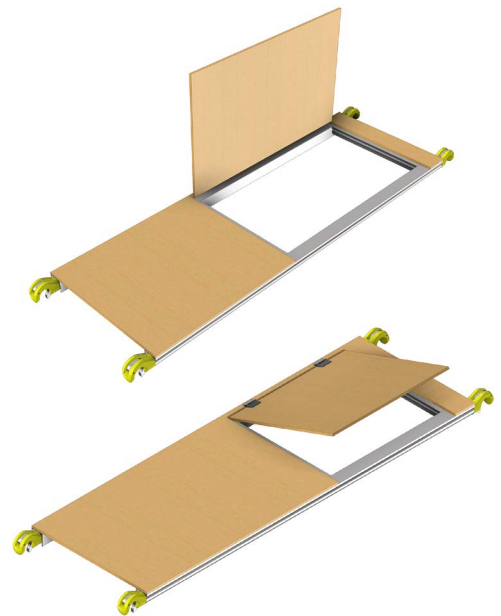
CODE	DESCRIPTION	MASS(kg)
5105819	Alu-Scaff Plain Platform	12.0



Alu-Scaff Trap Door Platforms

Alu-Scaff Trap Door Platforms are supported on the Alu-Scaff Frames to provide a safe working platform whilst allowing access to the working platform from the level below.

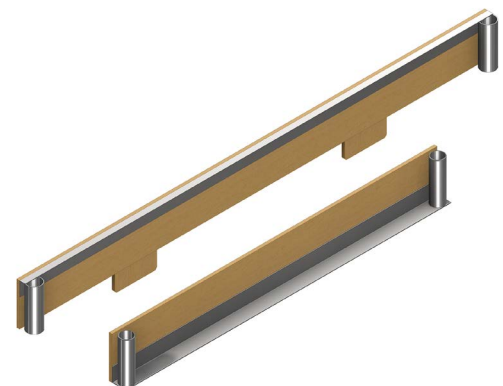
CODE	DESCRIPTION	MASS(kg)
5105813	Alu-Scaff 900 Span Trapdoor Platform	12.0
5105822	Alu-Scaff Trapdoor Platform	12.0



Alu-Scaff Toe-Boards

Alu-Scaff Toe-Board Sets are placed onto the Alu-Scaff Platforms to create a safe edge protection.

CODE	DESCRIPTION	MASS(kg)
5105812	Alu-Scaff 900 Span Toe-Board Set	12.0
5105821	Alu-Scaff Toe-Board Set (Stairwell)	12.0



Staircases

Alu-Scaff Staircases and Handrails

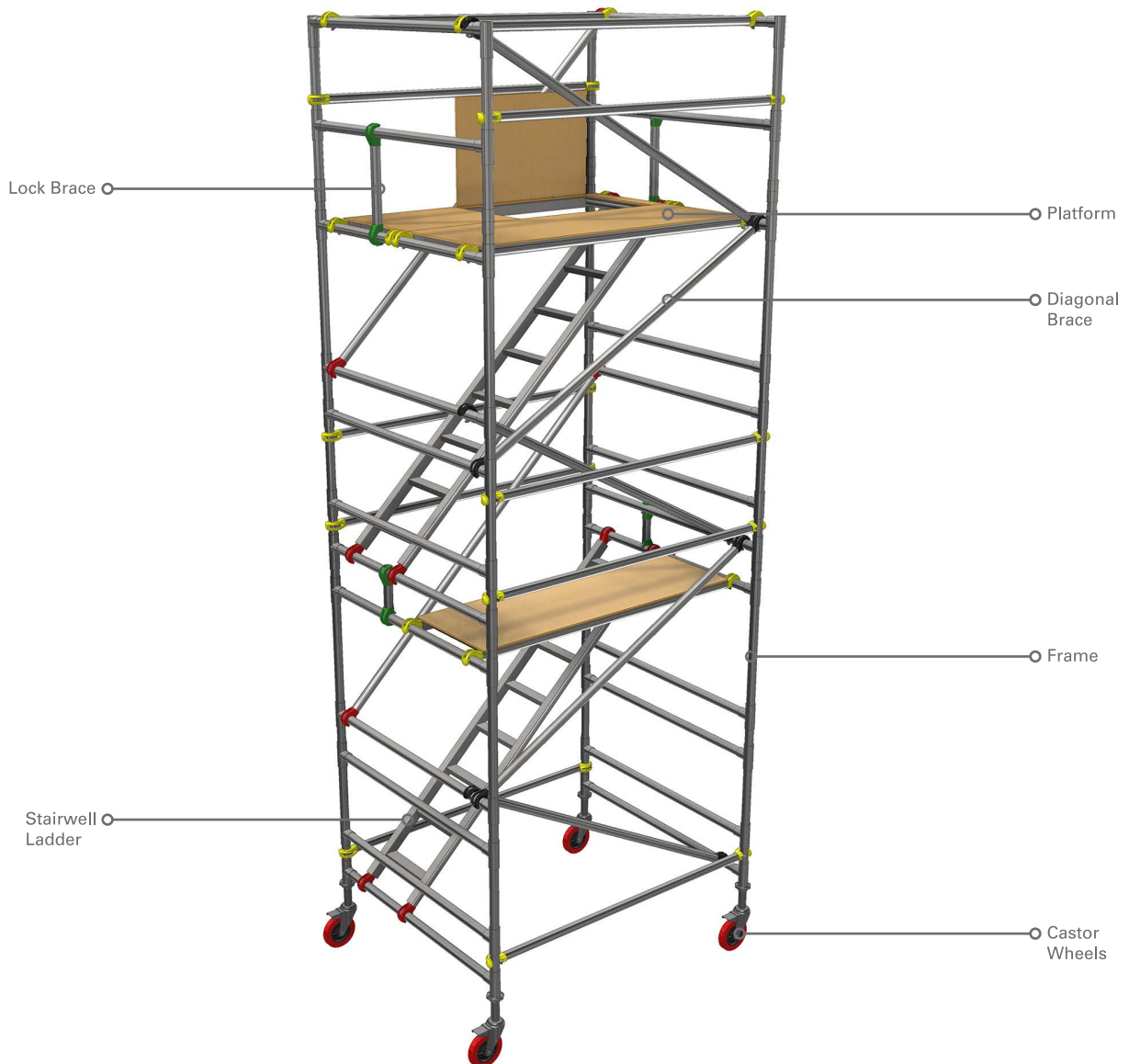
Stairwell Staircases connect to Frames allowing the movement of personnel from one level to another.

Bannister Braces are connected to Frames and run parallel with Stairwell Staircases providing safe outer fall protection.



CODE	DESCRIPTION	MASS(kg)
5105815	Alu-Scaff Bannister Braces	1.5
5105809	Alu-Scaff Stairway Ladder	8.5

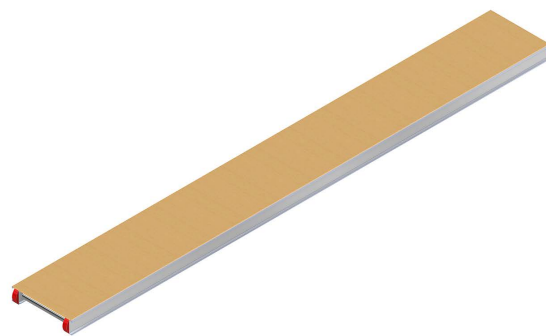
Assembly - Stairwell Tower



Alu-Scaff Youngman Platforms

Youngman Platforms are positioned at platform levels between towers to create gap bridging platforms.

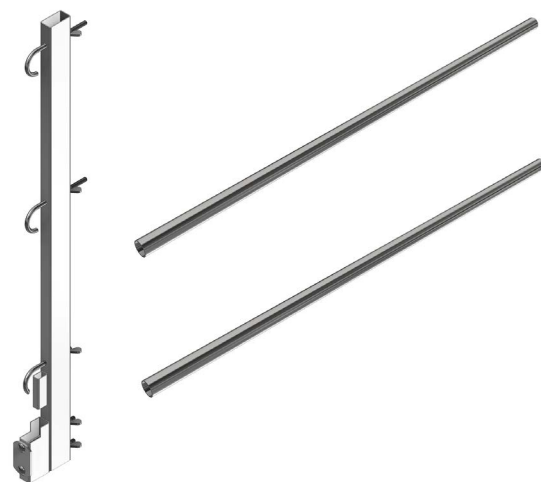
CODE	DESCRIPTION	MASS(kg)
5105953	Alu-Scaff Platforms: 3600mm (Youngman)	23.8
5105960	Alu-Scaff Platforms: 7200mm (Youngman)	61.2



Alu-Scaff Youngman Platform Handrails

Platform Handrail Uprights are connected to Youngman Platforms at evenly spaced intervals to provide handrail, knee rail and toe-board connection points.

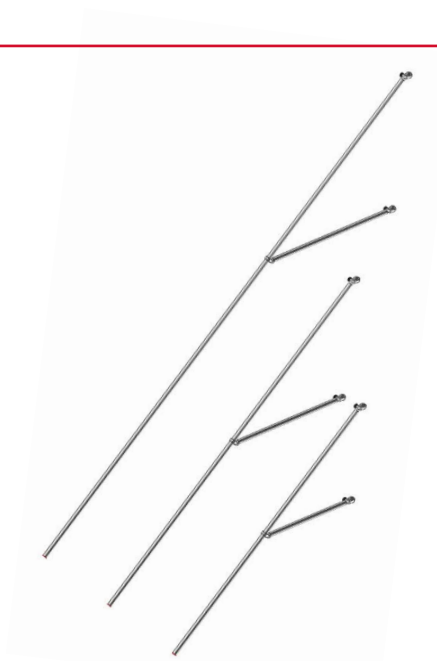
CODE	DESCRIPTION	MASS(kg)
5105962	Alu-Scaff Platforms Handrails 3600mm (Youngman)	5.4
5105963	Alu-Scaff Platforms Handrails 5400mm (Youngman)	8.1
5105964	Alu-Scaff Platforms Handrails 6000mm (Youngman)	9.0
5105969	Alu-Scaff Platforms Uprights (Youngman)	5.0



Alu-Scaff Outriggers

Outriggers are connected to Tower Frames to provide extra stability on slender towers.

CODE	DESCRIPTION	MASS(kg)
5105806	Alu-Scaff Standard Outriggers	7.5
5105805	Alu-Scaff Large Outriggers	7.5
5105802	Alu-Scaff Jumbo Outriggers	10.85

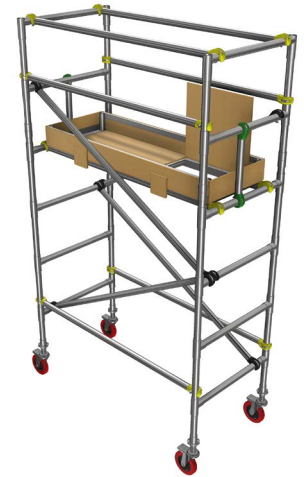


Tower Estimating Tables

Alu-Scaff 900 Span Tower (length) 1,85m x (width) 0,9m

The table below indicates the equipment quantities required for all permissible tower heights for the Alu-Scaff 900 Tower:

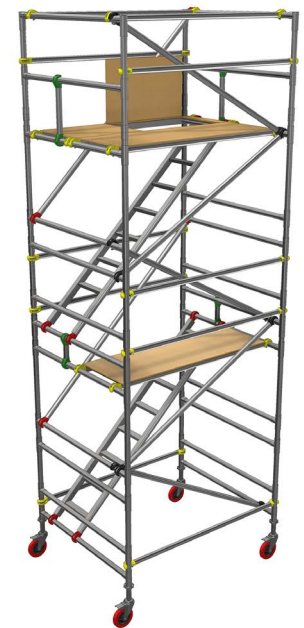
		TOWER HEIGHT (m)						
CODE	COMPONENTS	2.2	3.4	4.2	5.4	6.2	7.4	8.2
5105808	Alu-Scaff 900 Span 4 Rung Frames	2	2	4	4	6	6	8
5105807	Alu-Scaff 900 Span 2 Rung Frames	-	2		2		2	
5105810	Alu-Scaff 900 Span Guard Rail Frames	2	2	2	2	2	2	2
5105811	Alu-Scaff 900 Span Horizontal Braces	6	6	6	6	6	6	6
5105809	Alu-Scaff 900 Span Diagonal Braces	4	6	8	10	12	14	16
5105813	Alu-Scaff 900 Span Trapdoor Platform	1	1	2	2	3	3	4
5105806	Alu-Scaff Standard Outriggers		4	4	4			
5105805	Alu-Scaff Large Outriggers					4	4	
5105802	Alu-Scaff Jumbo Outriggers							4
5105801	Alu-Scaff Castor Wheels	4	4	4	4	4	4	4
5105804	Alu-Scaff Scaffold Lock Brace - Large	-	4	4	6	6	8	6
5105812	Alu-Scaff 900 Span Toe Board Set	1	1	1	1	1	1	1



Alu-Scaff Stairwell Tower (length) 1,85m x (width) 1,5m

The table below indicates the equipment quantities required for all permissible tower heights for the Alu-Scaff Stairwell Tower:

		TOWER HEIGHT (m)									
CODE	COMPONENTS	2.3	4.4	6.5	8.6	10.7	12.8	14.9	16.8	18.8	20.8
5105814	Alu-Scaff 5 Rung Frames	2	4	6	8	10	12	14	16	16	20
5105817	Alu-Scaff Guard Rail Frames	2	2	2	2	2	2	2	2	2	2
5105818	Alu-Scaff 1500 Horizontal Braces	6	7	8	9	10	11	12	13	14	15
5105816	Alu-Scaff Diagonal Braces	1	2	3	4	5	6	7	8	9	10
5105822	Alu-Scaff Trapdoor Platform	1	1	1	1	1	1	1	1	1	1
5105805	Alu-Scaff Large Outriggers	-	4	4	4	-	-	-	-	-	-
5105802	Alu-Scaff Jumbo Outriggers	-	-	-	-	4	4	4	4	4	4
5105801	Alu-Scaff Castor Wheels	4	4	4	4	4	4	4	4	4	4
5105804	Alu-Scaff Scaffold Lock Brace - Large	2	2	2	2	2	2	2	2	2	2
5105821	Alu-Scaff Toe Board Set	1	1	1	1	1	1	1	1	1	1
5105815	Alu-Scaff Bannister Braces	1	2	3	4	5	6	7	8	9	10
5105820	Alu-Scaff Stairway Ladder	1	2	3	4	5	6	7	8	9	10
5105819	Alu-Scaff Plain Platform	1	2	3	4	5	6	7	8	9	10
5105803	Alu-Scaff Scaffold Lock Brace - Small	-	2	4	6	8	10	12	14	16	18





Contact Directory

International Branches

Matsapha

Lot 796 King Mswati 111 Ave West,
C/o Usuthu Cres & KM111 Ave west,
Matsapha
+268 2518 8360

Mauritius - Port Louis

Anse Courtois Street, Montebello,
Pailles, Mauritius
+230 286 6176

Namibia - Windhoek

Cnr Nickle & Michelle, McClean Street,
Prosperita, Windhoek, Namibia
+264 61 425 350

South African Branches

Midrand

Poplar Crescent, Lords View
Industrial Park, Klipfontein
Chloorkop X66, Gauteng
+27 (0) 10 601 6313

Gqeberha

4 Kendle Street,
Neave Industrial Area,
Eastern Cape
+27 (0) 41 453 2317

Head Office:

181 Barbara Road,
Elandsfontein, Gauteng
PO Box 669, Isando, 1600
+27 (0) 11 842 4000



Technical Advice Centre 0800 20 50 29 / 011 842 4011

www.formscaff.com